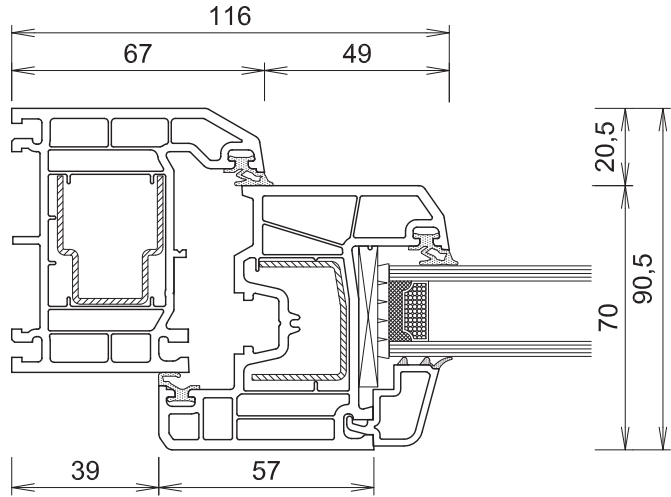


		I_2 -value
Frame	7507	
Steel	677	1.3
Sash	395	
Steel	207	1.8



		I_2 -value
Frame	7507	
Steel	677	1.3
Sash	396	
Steel	207	1.8

